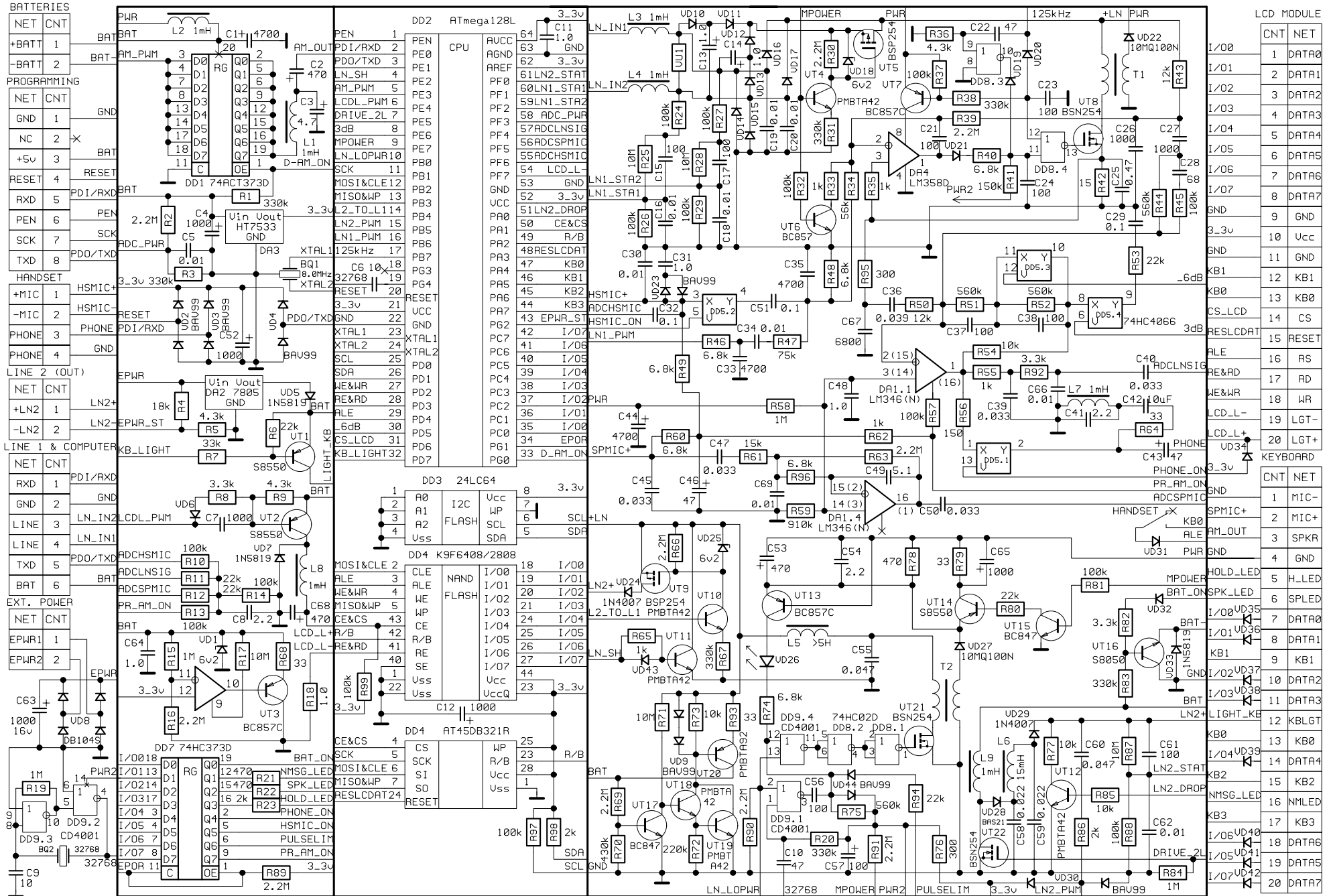




# PALIHA-750 SCHEMATIC DIAGRAM (MAINBOARD) v.5 02.2005

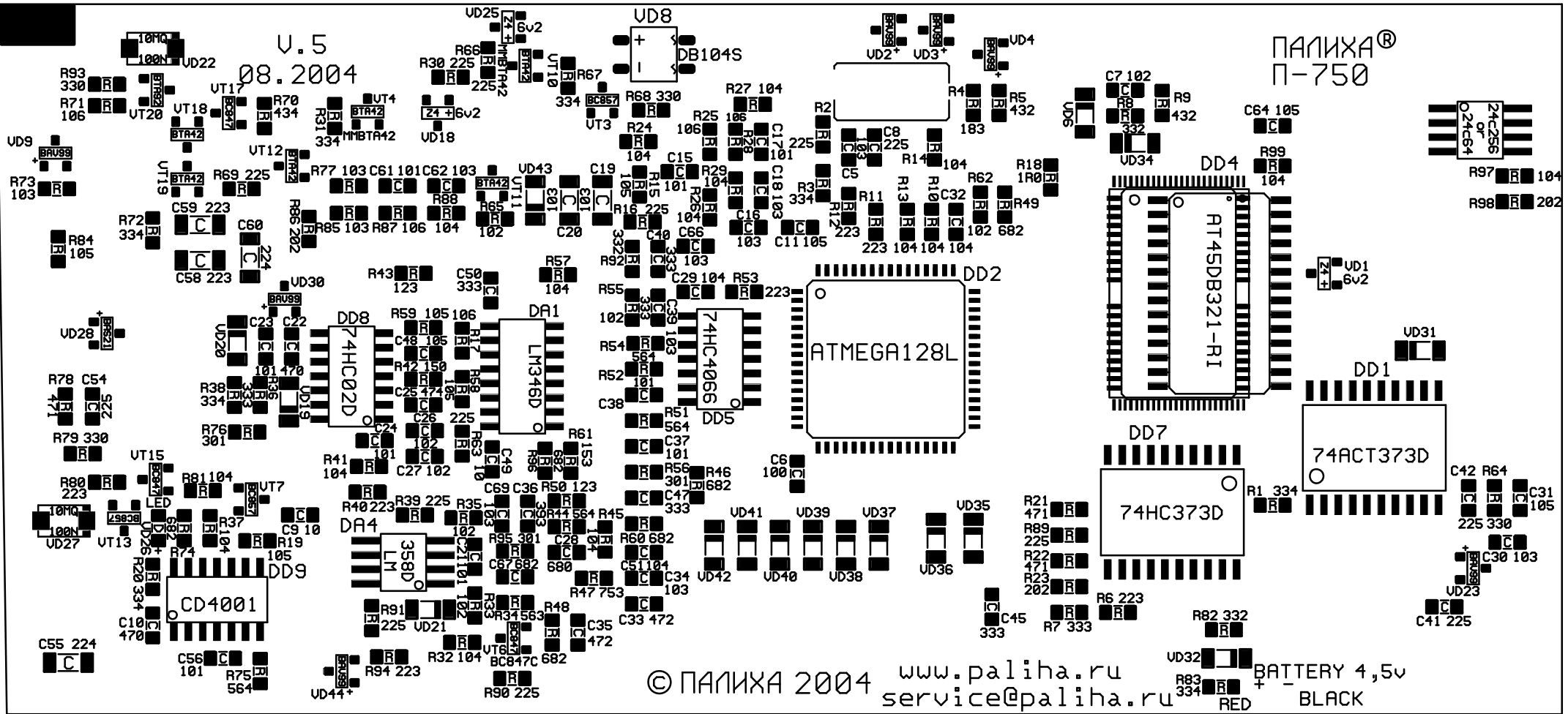


BATTERIES	
NET CNT	
+BATT 1	BAT
-BATT 2	BAT
PROGRAMMING	
NET CNT	
GND 1	GND
NC 2	X
+5V 3	BAT
RESET 4	RESET
RXD 5	PDI/RXD
PEN 6	PEN
SCK 7	SCK
TXD 8	PDO/TXD
HANDSET	
+MIC 1	HSMIC+
-MIC 2	HSMIC-
PHONE 3	PHONE
PHONE 4	GND
LINE 2 (OUT)	
NET CNT	
+LN2 1	LN2+
-LN2 2	LN2-
LINE 1 & COMPUTER	
NET CNT	
RXD 1	PDI/RXD
GND 2	GND
LINE 3	LN_IN2
LINE 4	LN_IN1
TXD 5	PDO/TXD
BAT 6	BAT
EXT. POWER	
NET CNT	
EPWR1 1	EPWR
EPWR2 2	EPWR

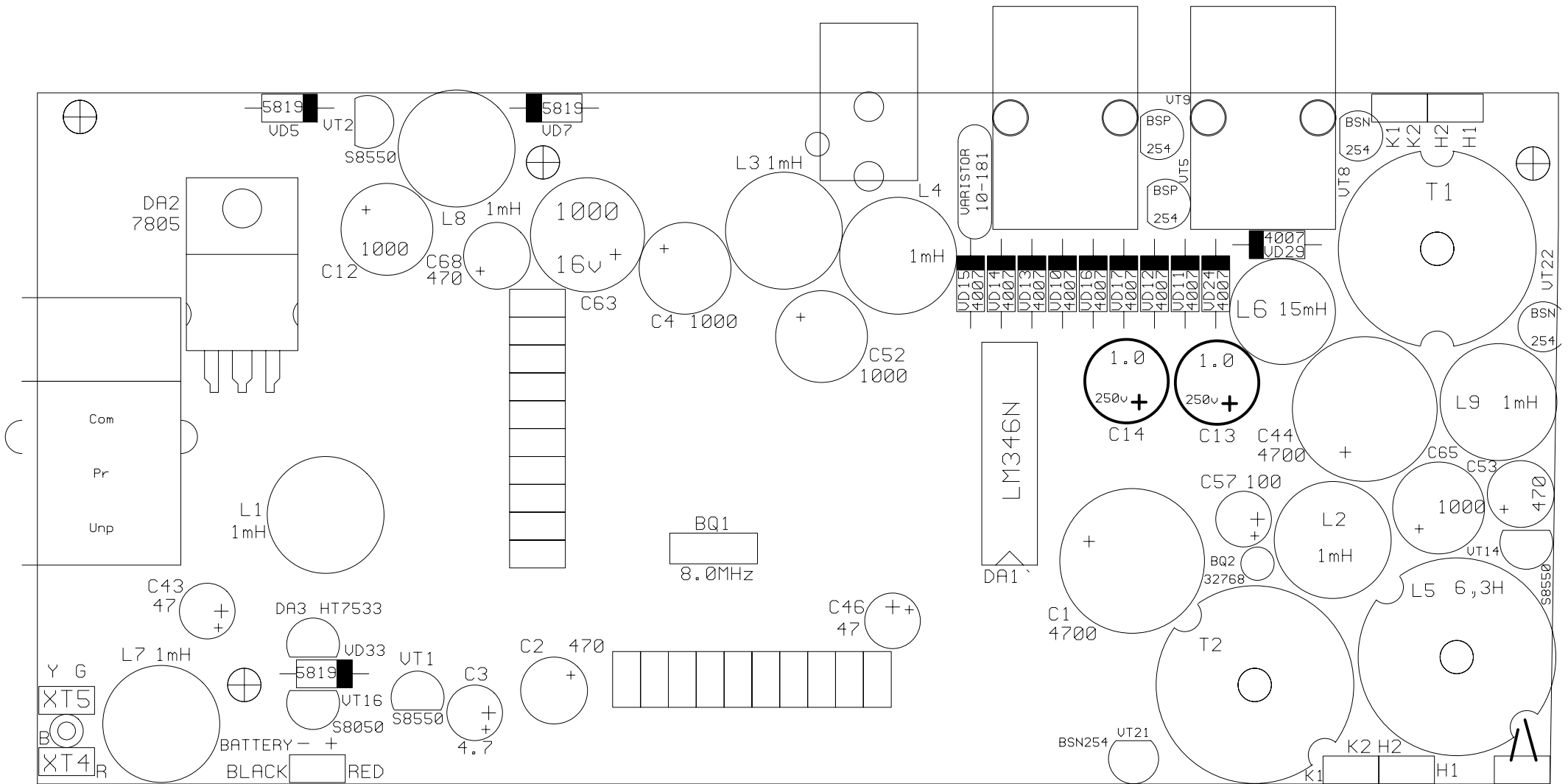
LCD MODULE	
CNT	NET
I/O0	1 DATA0
I/O1	2 DATA1
I/O2	3 DATA2
I/O3	4 DATA3
I/O4	5 DATA4
I/O5	6 DATA5
I/O6	7 DATA6
I/O7	8 DATA7
GND	9 GND
3.3v	10 Ucc
GND	11 GND
KB1	12 KB1
KB0	13 KB0
CS_LCD	14 CS
RESLCDAT	15 RESET
ALE	16 RS
WE&WR	17 RD
LN2-	18 WR
LCD_L-	19 LGT-
LCD_L+	20 LGT+
KEYBOARD	
CNT	NET
1	MIC-
2	MIC+
3	SPKR
4	GND
5	H_LED
6	S_LED
7	DATA0
8	DATA1
9	KB1
10	DATA2
11	DATA3
12	KBLGT
13	KB0
14	DATA4
15	KB2
16	NMSG_LED
17	KB3
18	DATA6
19	DATA5
20	DATA7

U.5  
08.2004

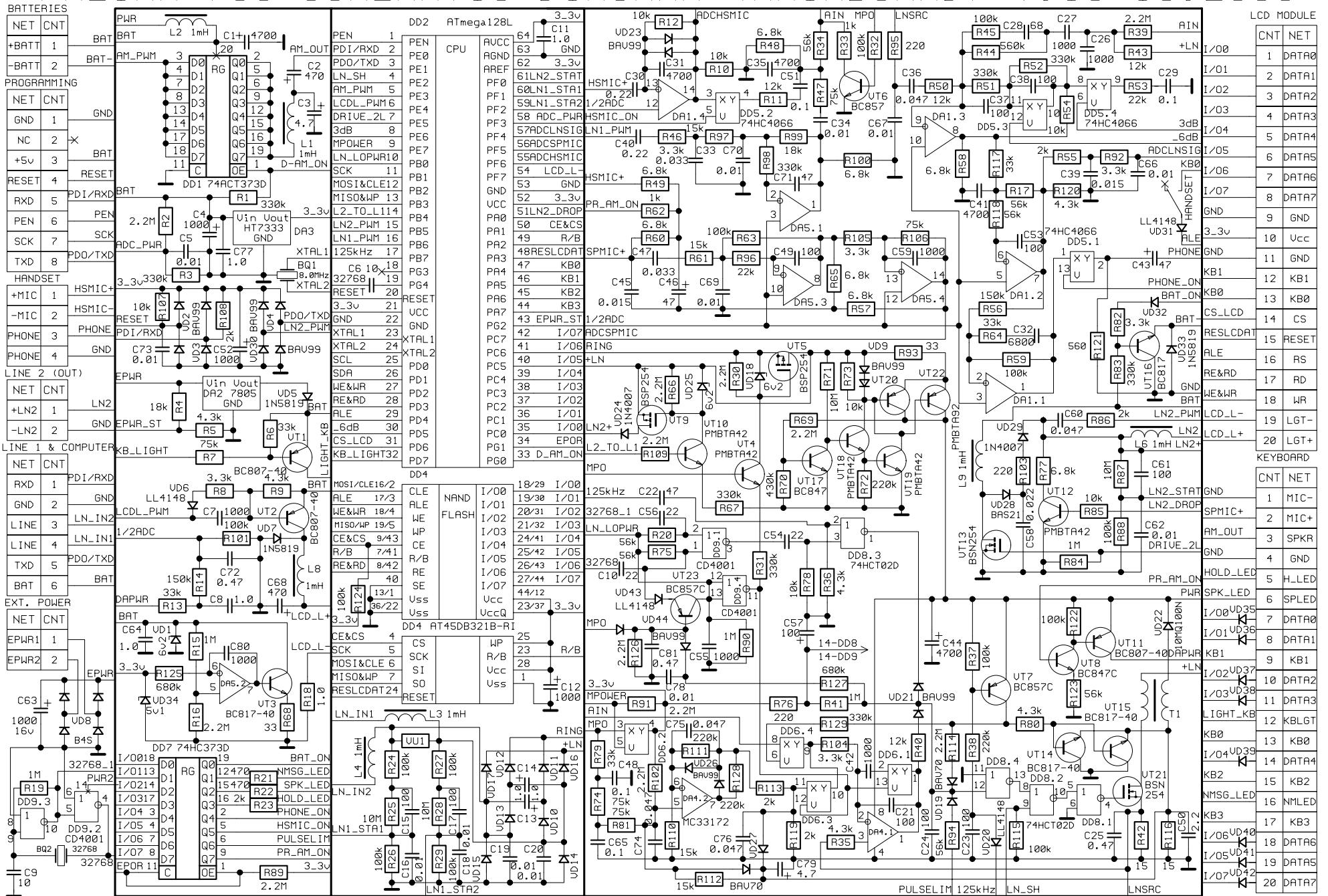
ПАЛИХА®  
П-750



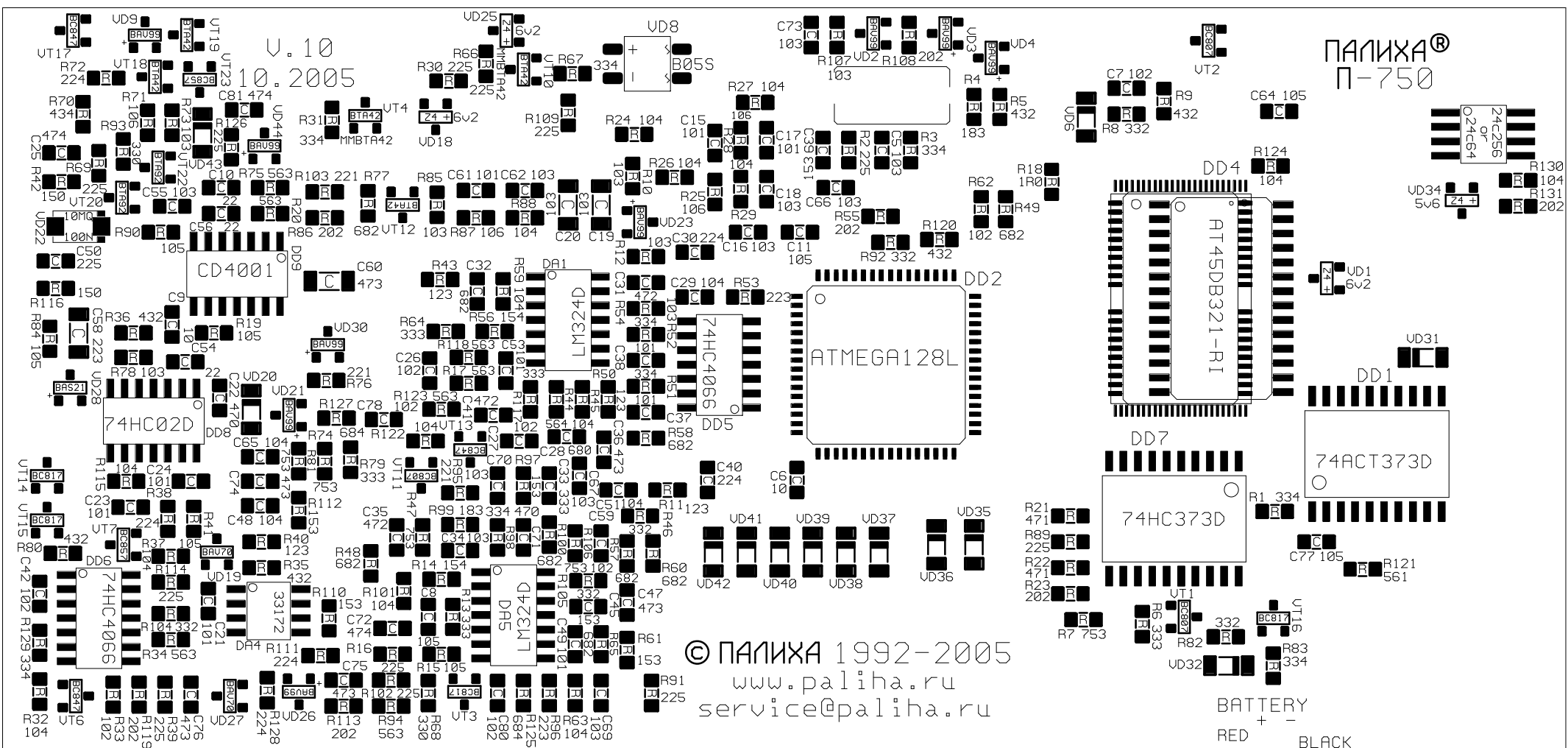
© ПАЛИХА 2004 www.paliha.ru  
service@paliha.ru BATTERY 4,5v  
RED BLACK



# PAL IHA-750 SCHEMATIC DIAGRAM (MAINBOARD) v.10 10.2005



ПАЛИХА®  
П-750



© ПАЛИХА 1992-2005  
www.paliha.ru  
service@paliha.ru

BATTERY  
+ -  
RED BLACK

