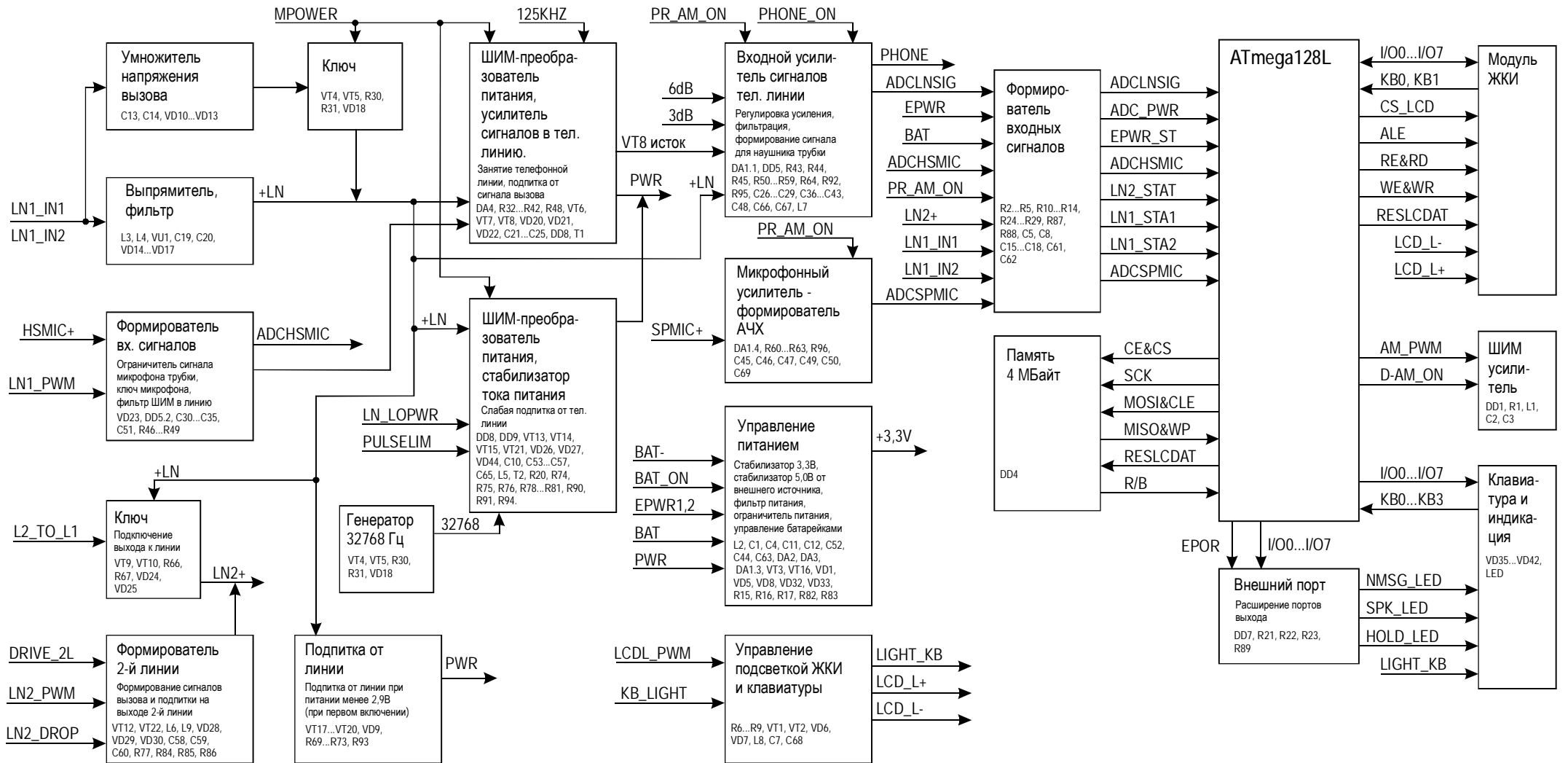
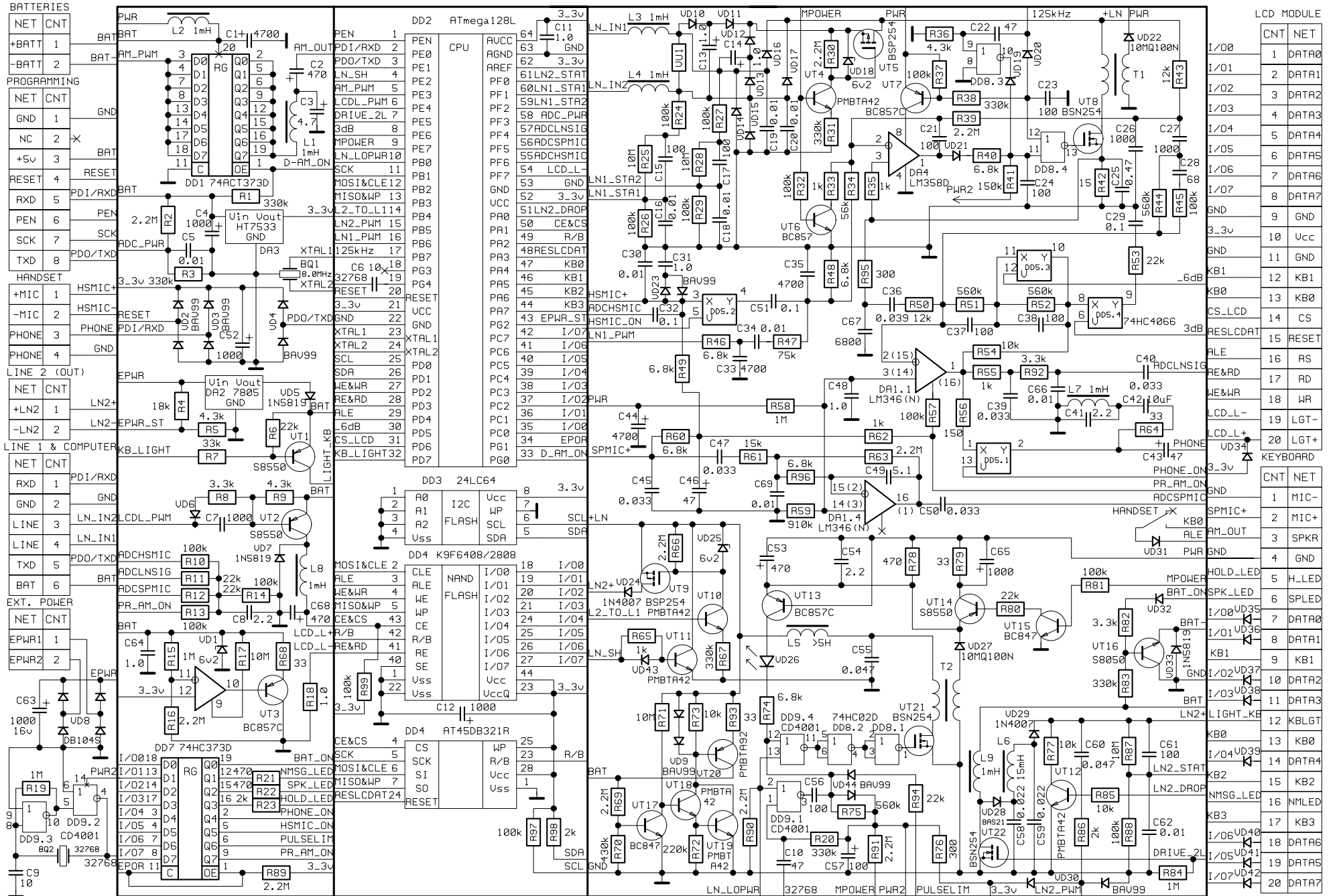


# Структурная схема ТАА "Палиха-750"

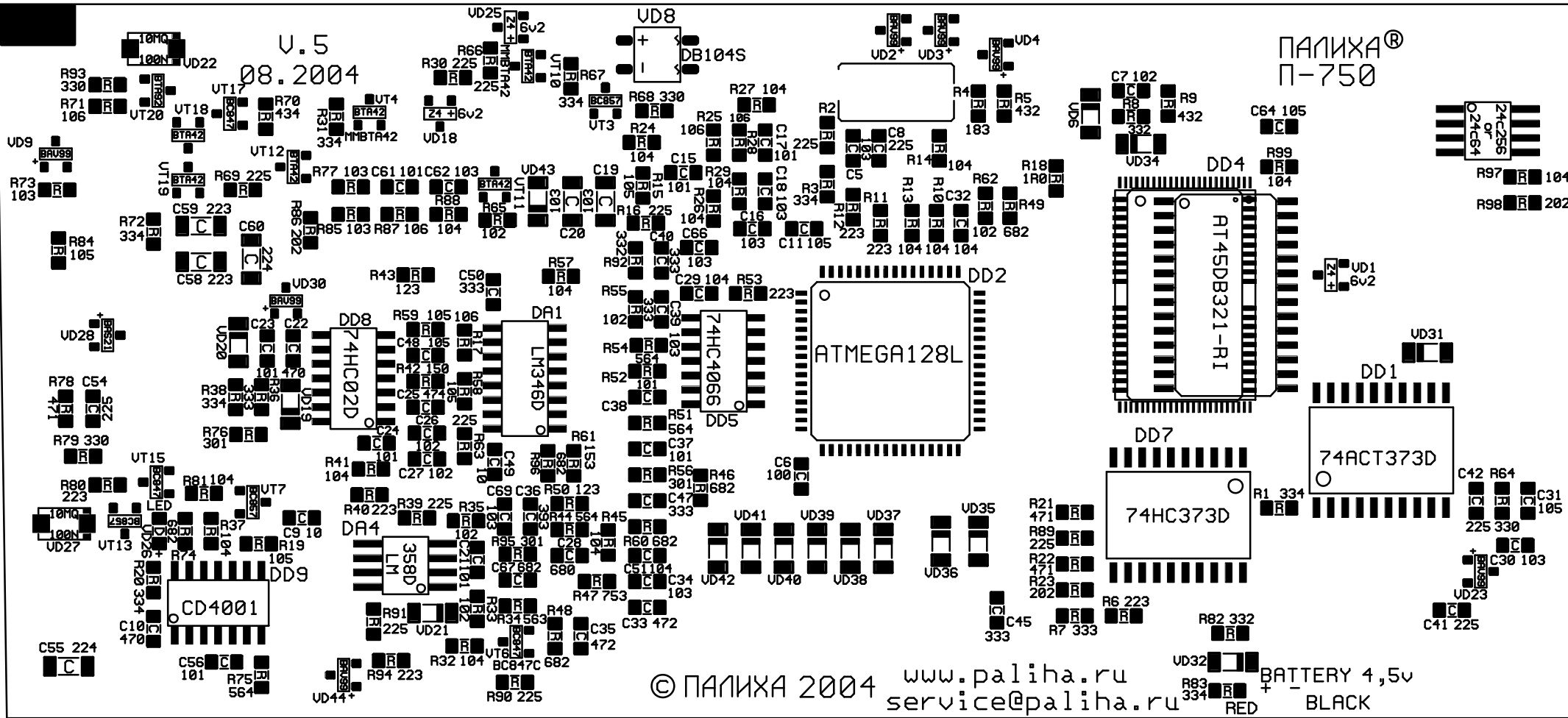


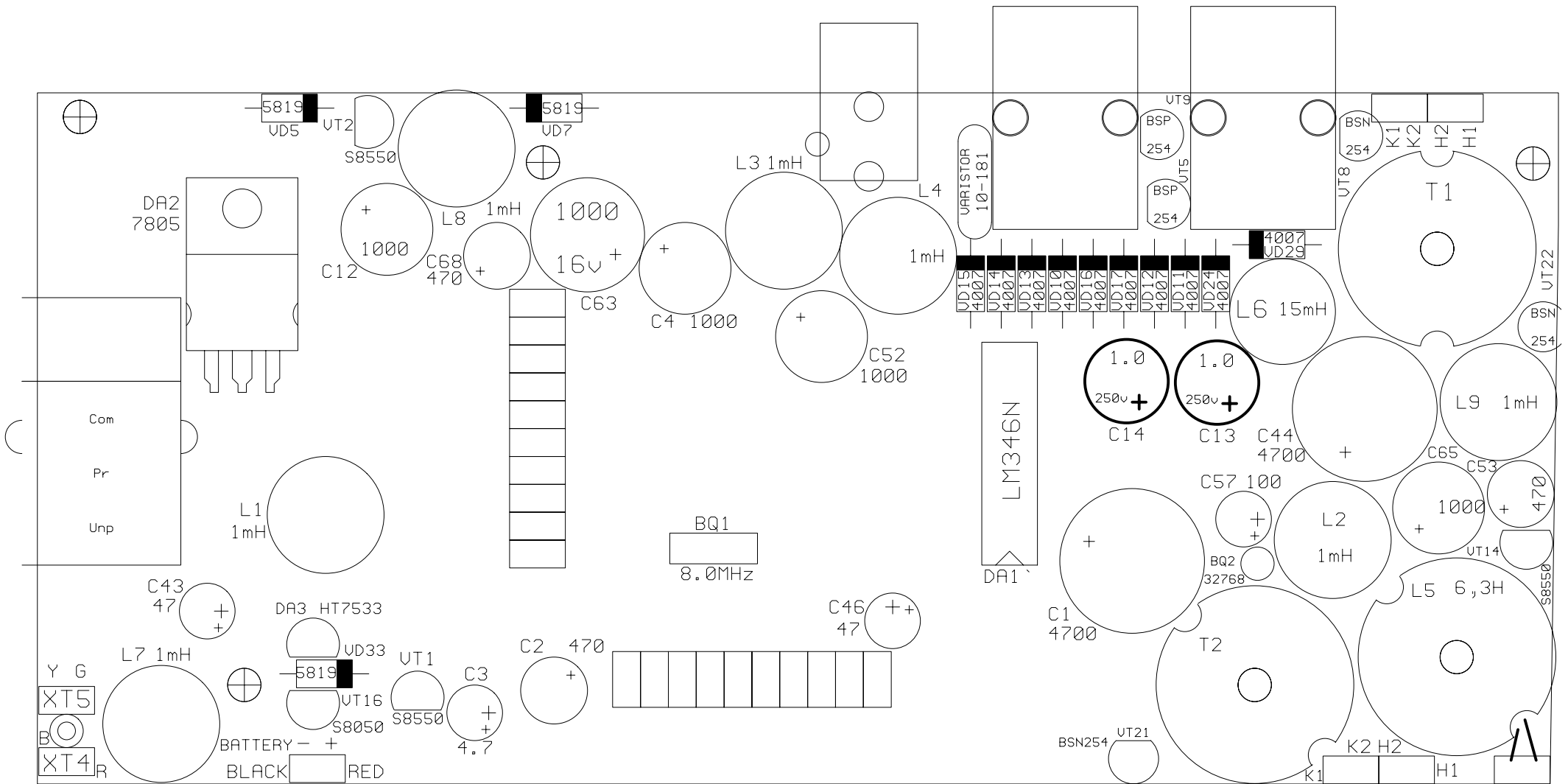
# PALIHA-750 SCHEMATIC DIAGRAM (MAINBOARD) v.5 02.2005



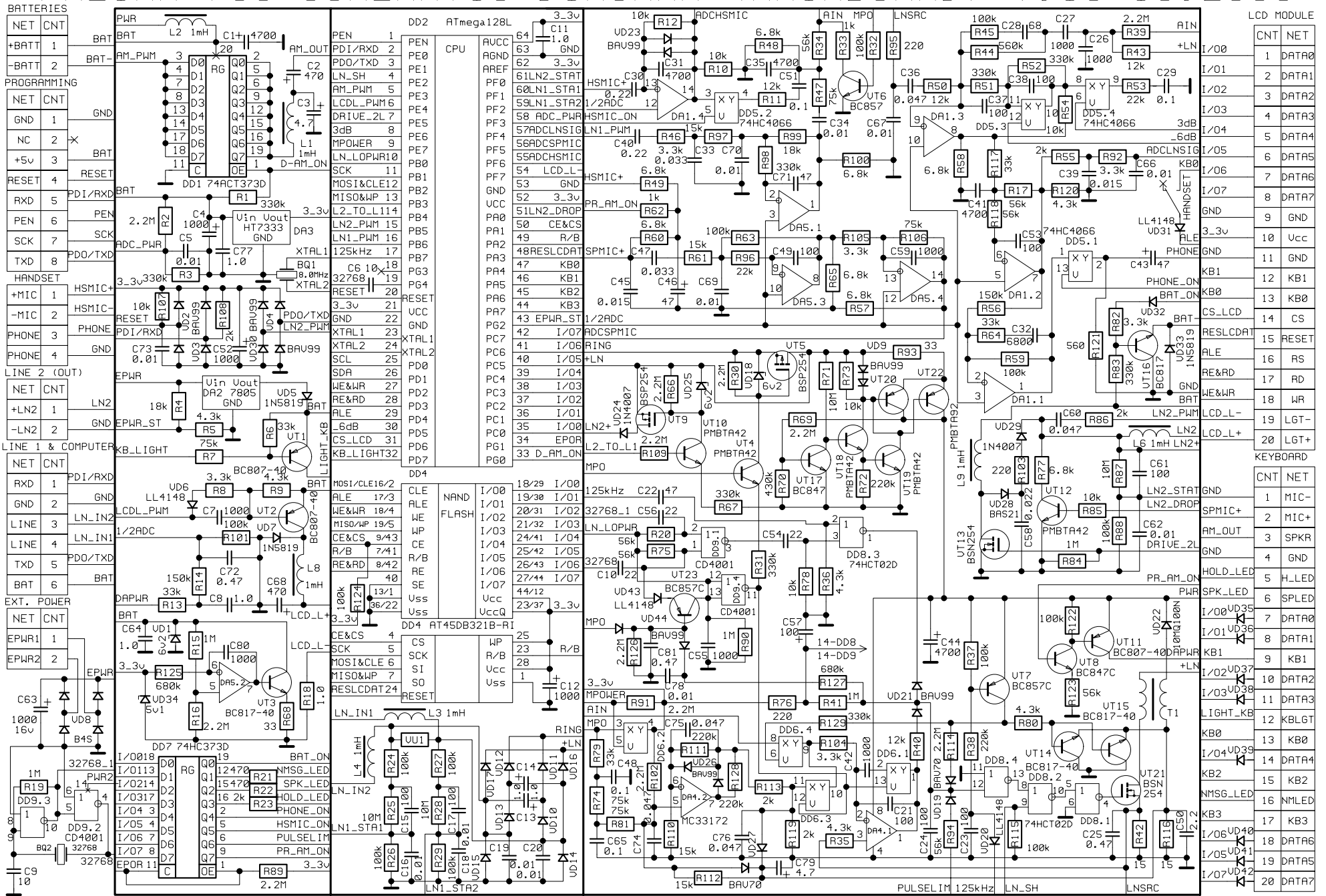
U.5  
08.2004

ПАЛИХА®  
П-750





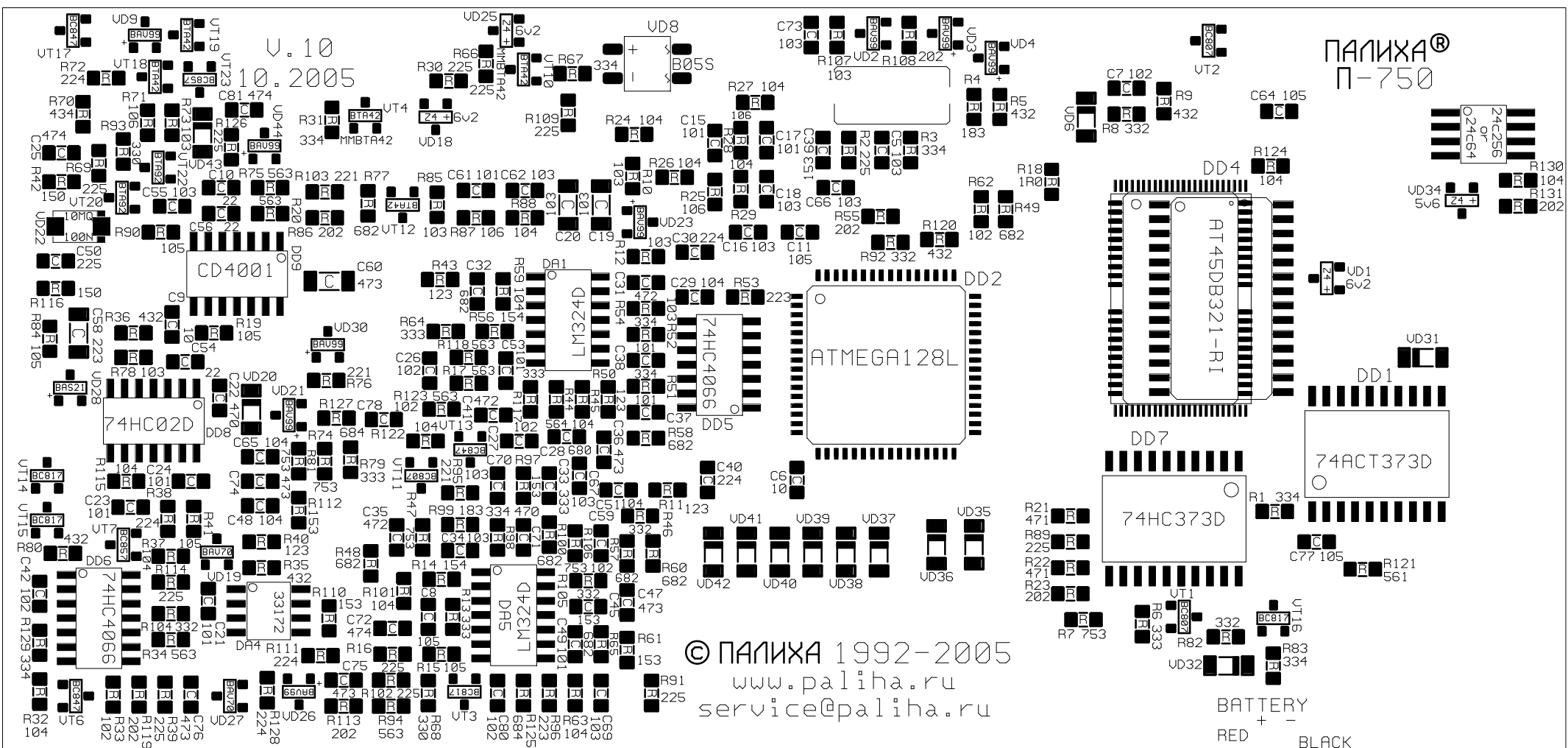
# PAL IHA-750 SCHEMATIC DIAGRAM (MAINBOARD) v.10 10.2005



BATTERIES	
NET CNT	BAT
+BATT 1	BAT-
-BATT 2	BAT
PROGRAMMING	
NET CNT	GND
GND 1	X
NC 2	BAT
+5V 3	RESET
RESET 4	PDI/RXD
RXD 5	PEN
PEN 6	SCK
SCK 7	PDO/TXD
TXD 8	
HANDSET	
+MIC 1	HSMIC+
-MIC 2	HSMIC-
PHONE 3	PHONE
PHONE 4	GND
LINE 2 (OUT)	
NET CNT	LN2
+LN2 1	GND
-LN2 2	GND
LINE 1 & COMPUTER	
NET CNT	PDI/RXD
RXD 1	GND
GND 2	LN_IN2
LINE 3	LN_IN2
LINE 4	LN_IN1
TXD 5	PDO/TXD
BAT 6	BAT
EXT. POWER	
NET CNT	EPWR1
EPWR1 1	EPWR2
EPWR2 2	

LCD MODULE	
CNT	NET
1	DATA0
2	DATA1
3	DATA2
4	DATA3
5	DATA4
6	DATA5
7	DATA6
8	DATA7
9	GND
10	Ucc
11	GND
12	KB1
13	KB0
14	CS
15	RESET
16	RS
17	RD
18	WE&WR
19	LCD_L-
20	LCD_L+
KEYBOARD	
CNT	NET
1	MIC-
2	MIC+
3	SPKR
4	GND
5	H_LED
6	SPK_LED
7	DATA0
8	DATA1
9	KB1
10	DATA2
11	DATA3
12	KB_LGT
13	KB0
14	DATA4
15	KB2
16	NMSG_LED
17	KB3
18	DATA6
19	DATA5
20	DATA7

ПАЛИХА®  
П-750



© ПАЛИХА 1992-2005  
www.paliha.ru  
service@paliha.ru

BATTERY  
+ -  
RED BLACK

